



# Firenze Woodfires

Please read this booklet and keep for future reference for the safe installation of your:

## Bronte AG

### INSTALLATION AND OPERATION GUIDE



AG (Air Guard) stands for Clean Air. This AG Fire can be installed on properties of less than 2 hectares of land and meets with ECAN standards of 1g and 76% efficiency.

#### **AUTHORISATION NUMBER 072377**

This Fire must be installed by someone competent to do so, Firenze recommend the use of a NZ Home Heating Association, solid fuel appliance installation technician (SFAIT), or other suitably qualified person. The Fire and Flue System must be installed in accordance with AS/NZS2918. All installations must be in accordance with these instructions. Consult with the building authority having jurisdiction to determine the need for a permit prior to commencing the installation. Failure to follow these instructions may also void your fire insurance and warranty.

This Fire has been tested to Appendix E & B of the joint Australia/New Zealand Standard 2918:2001

This Fire conforms with ECAN requirements.

## INDEX

<u>Page No:</u>	<u>Item No:</u>	<u>Topic:</u>
3	1	Warnings
4	2	Installation Responsibilities
4	3	Floor Protector Requirements
5	4	Installation Clearances
6	5	Assembly Instructions
7		Fitting Seismic Restraints
8	6	Flue Installation
9		Minimum Height of Flue System Exit
10		Outside Air Kit Diagram
11		Outside Air Kit Installation
12	7	Operating Instructions
13		Operating Instructions
14	8 & 9	Operating Instructions
15	10	Operating Instructions
16	11	Warranties
17		Warranties
18		Warranties

Under our policy of continuous product improvement, Firenzo reserves the right to alter specifications or product from that shown.

## 1. WARNINGS

This Fire should be maintained and operated at all times in accordance with these instructions.

The **Bronte AG** is tested to N.Z. Standards AS/NZS 2918:2001.

If this Fire is incorrectly installed a house fire may result. For your safety follow the installation instructions carefully.

Do NOT connect the Fire to a chimney serving another Fire.

Although the exterior of the Fire may appear cool, contact with the Fire may cause burns, warn children and others of the possibility of injury should they touch the Fire.

Do NOT dry clothing or unseasoned wood directly in contact with the Fire.

Keep all household combustible materials at least 600mm away from front of the Fire. This includes clothing, furniture, wood, newspaper, plastic, matches, etc.

**DO NOT USE FLAMMABLE LIQUIDS or AEROSOLS in the vicinity of this Fire when it is operating.**

Use caution when reloading with fuel. Do NOT attempt to load fuel into the Fire when the fire inside the stove is at or near its peak.

Do NOT burn large quantities of paper or combustible material that would create an extremely hot/quick fire.

Do NOT burn highly coloured paper or brochures (junk mail).

**USE ONLY DRY WOOD (25% or less moisture content). AVOID BURNING WET OR GREEN WOOD.**

The use of preservative treated wood as a fuel can be hazardous.

Timber treated with copper chromium and arsenic type preservatives will leave toxic residues in the ash, firebox or within the flue, timber offcuts from building construction will often contain boric salts. The combustion of this material over prolonged periods can produce adverse effects on refractory lining in solid fuel Fires. Emission of poisonous gases can also be experienced with the burning of treated wood.

Driftwood with salt content will also cause rapid deterioration of the Fire and should not be used.

## 2. INSTALLATION RESPONSIBILITIES

**Warning:** The Fire and Flue system shall be installed in accordance with AS/NZS 2918 and the appropriate requirements of the relevant building code or codes.

Any modification of the Fire that has not been approved in writing by the testing authority is considered to be in breach of the approval granted for compliance with AS/NZS 4013.

**Caution:** Mixing of Fire or Flue-system components from different sources or modifying the dimensional specification of components may result in hazardous conditions. Where such action is considered, the manufacturer should be consulted in the first instance.

Strict adherence to these instructions will meet these standards. Any variation from these installation instructions or any doubt about them must be checked against the requirements of the standards.

**Please leave this manual with the owner when installation is complete.**

## 3. FLOOR PROTECTOR REQUIREMENTS

The Fire should always be installed on top of its base due to high temperatures sustained over long periods. The base must be anchored to both the floor protector and the floor for seismic restraint. Anchor points are provided in the base or on the rear legs.

**LEG & PLATFORM MODEL: Ash Hearth ONLY.**

**PEDESTAL, DRAWER BASE MODELS:**

If the Fire is to be placed on or within 500mm of a heat sensitive floor:

an **Insulated Floor Protector** with a minimum thickness of **40mm** is required consisting of 20mm of an approved insulation material i.e. 2 sheets of 10mm Micorboard or Supalux, 10mm tile backing board and 10mm tiles or similar on the top surface. All joints on the upper surface should be sealed to prevent spilt ash from contacting any heat-sensitive material.

**FLOOR PROTECTOR DIMENSIONS:**

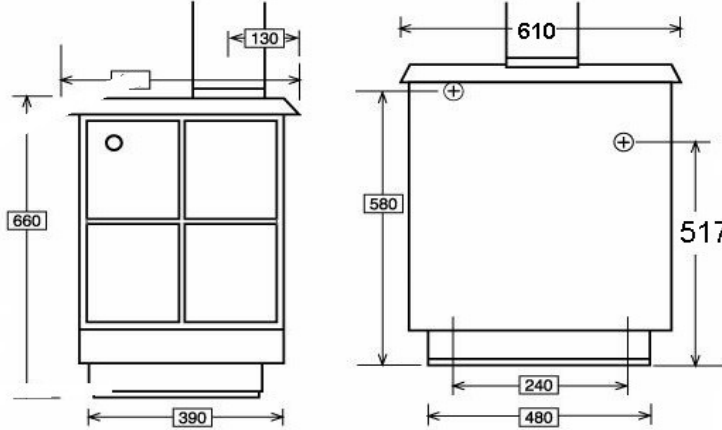
Refer to drawings under 4. Installation Clearances.

The standard front clearance from the front of the door glass can be reduced by increasing the INSULATED floor protector height, as tabled below:

FLOOR PROTECTOR HEIGHT	40	50	60	70	80	90	100	110
F/P FOR PEDESTAL OR DRAWER/ BASE	430	405	390	375	360	340	325	300
FLOOR PROTECTOR HEIGHT	10							
F/P FOR LEG AND PLATFORM- BASE	300							

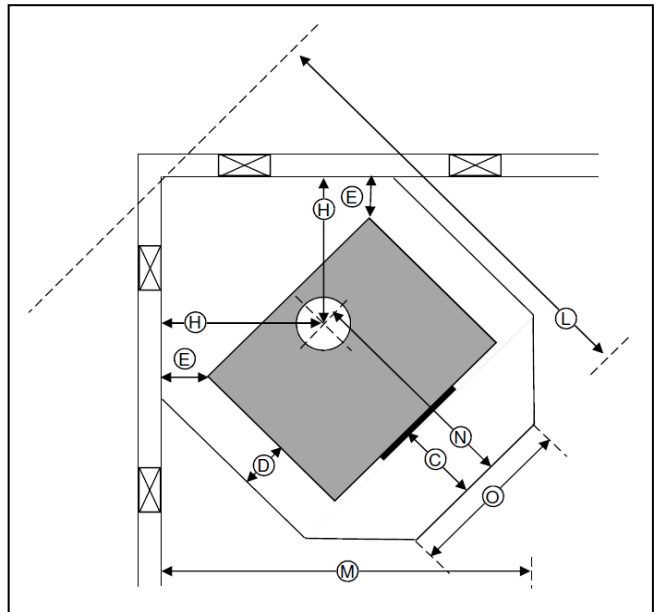
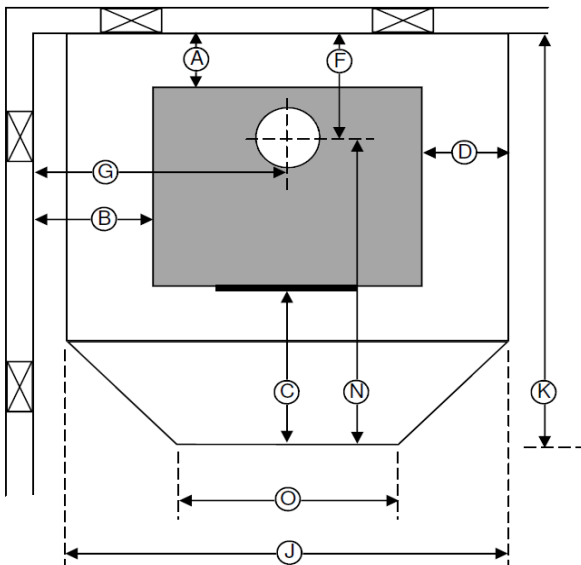
## 4. INSTALLATION CLEARANCES

When installing the **Bronte AG** on a **leg base** **ADD 70mm** to vertical measurements shown here:



Flue Size 150mm  
 Internal Firebox Size  
 Height 330mm  
 Width 410mm  
 Depth 330mm

Clearances are in accordance with the requirements of AS/NZS 2918:2001  
 And are to a heat sensitive material.



If the Fire is to be placed on or within 500mm of a heat sensitive floor, an insulated floor protector will be required.

<b>BRONTE AG</b>	A	B	C	D	E	F	G	H	J	K	L	M	N	O
PEDESTAL & DRAWER BASE INSULATED HEARTH	100	250	435	100	50	230	555	355	810	1000	1295	1170	770	630
LEG & PLATFORM BASE ASH HEARTH	100	250	300	100	50	230	555	355	810	865	1210	1080	635	630

## 5. ASSEMBLY INSTRUCTIONS

1. Remove all packaging and timber.
2. Remove loose parts from inside the Firebox.
3. Position the base with angle steel down onto the floor protector, taking the necessary final clearance into consideration. The base has the flue centre indicated on the flat steel bracket.

These measurements coincide with the figures on page 5 for the Fire clearances when assembled.

4. At this point a hole in the ceiling to accommodate the flue may be cut and the liners installed.

5. Remove both front and rear top castings.

6. Place Firebox on base. Secure with brackets provided.

7. Replace the rear top casting and refit the front top casting ensuring it fits neatly into the sealed channel.

8. Refit the stainless steel flue shim in the top rear section of the Firebox.

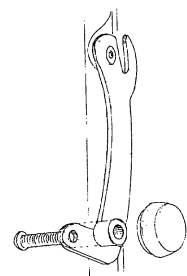
9. Assemble and fit flue and flue shield as per instructions page 8 & 9.

10. A flue shield **must** be fitted. The minimum requirement is for a single skin, semi-circular, stainless steel flue shield with a reflective inner surface 1200mm high. This should be installed so that the bottom edge of the flue shield is at the same level as the top of the flue spigot and spaced off the flue by approximately 25mm.

11. Secure the Fire to the floor protector for seismic restraint (refer instructions page 7.)  
DUE TO NZ BEING AN EARTHQUAKE PRONE COUNTRY, IT IS IMPORTANT TO ANCHOR THE FIRE DOWN IN CASE OF EARTH MOVEMENT.

12. Fit Door Knob as shown.

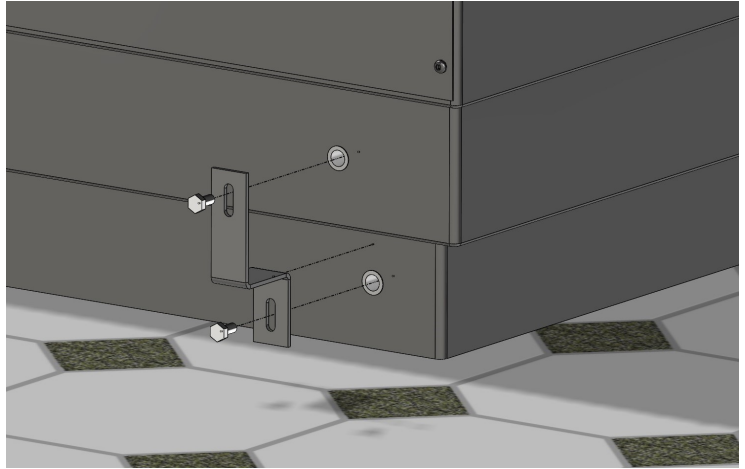
13. Fit the control knob- place the flat on the knob to the flat on the Air control shaft situated on the right hand side of the fire.  
Press home firmly.



# FITTING SEISMIC RESTRAINT BRACKETS ON BRONTE AG

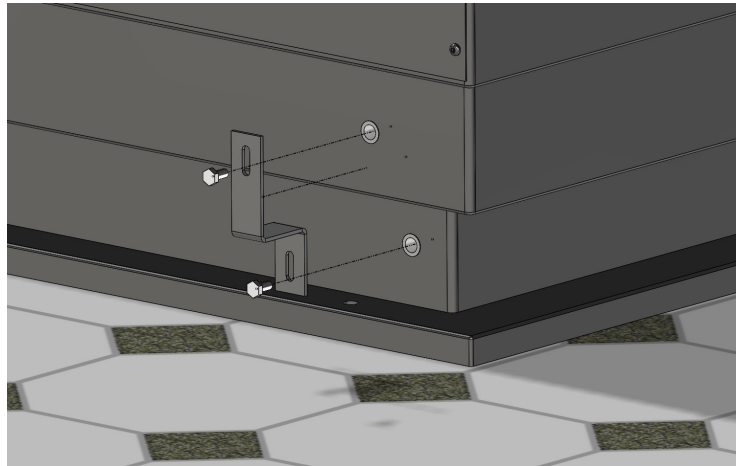
## PEDESTAL OR DRAWER BASE

1. Remove bolts at rear of fire box
2. Fit Seismic Restraint brackets
3. Secure both the floor protector and the fire to the floor using 6mm Dyna Bolts or similar.



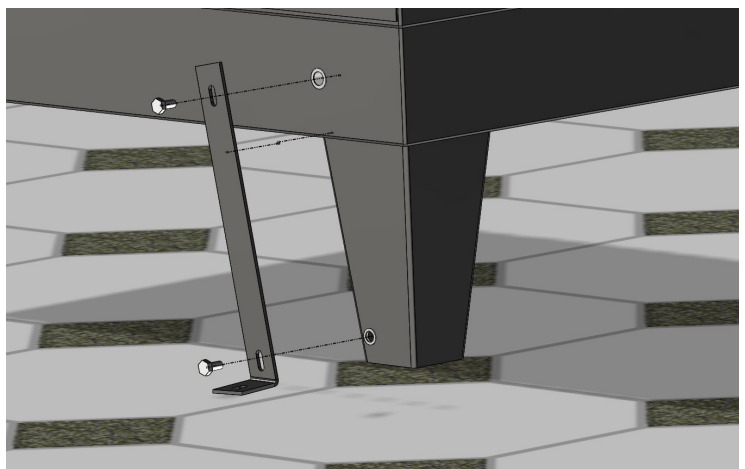
## PLATFORM BASE

1. Remove bolts at rear of fire box.
2. Fit Seismic Restraint Brackets.
3. Secure both the floor protector and the fire to the floor using a 6-8mm Dyna Bolt.



## LEG BASE

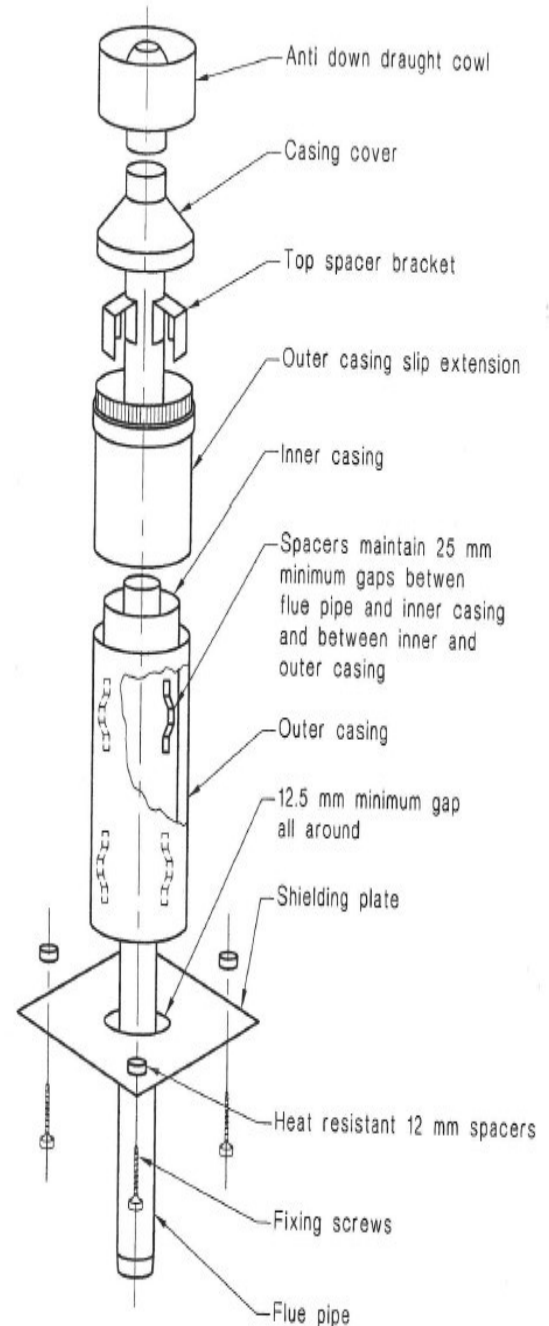
1. Place firebox on leg assembly and fit brackets.
2. Locate as per appropriate clearances
3. Secure both the floor protector and the fire to the floor with 6mm Dyna Bolts or similar.



## 6. FREESTANDING FLUE SYSTEM

### INSTALLATION INSTRUCTIONS

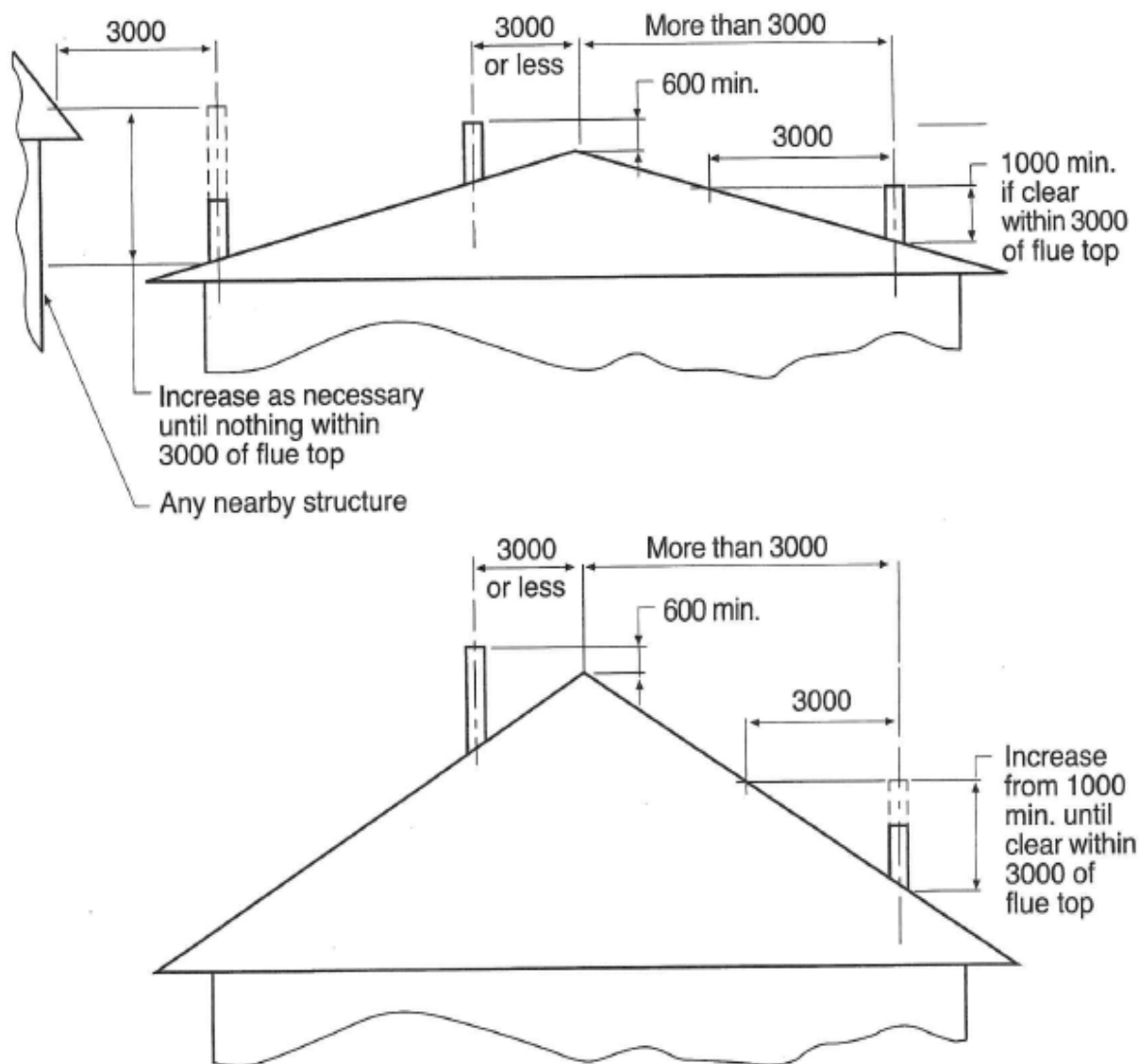
1. Position Fire on floor protector ensuring all Fire clearances are correct as per clearances on page 5.
2. Once the location is confirmed, the Fire and floor protector shall be fixed to the floor itself refer to page 4 & 5.
3. Extend a plumb line from the centre of the Fire flue spigot to the ceiling. Mark position on ceiling and roof.
4. Trim hole and nog as required. Fix with non-combustible spacers and screws or clouts on all four sides.
5. Cut and frame (when required) an opening in the roof, position the outer casing through the roof until it is flush with the underside of the ceiling. Fix as in step 4.
6. Fix appropriate flashing around outer casing to the roof to ensure a weatherproof seal.
7. Assemble flue sections ensuring all seams are in line, the assembly is straight and crimped. Ends are pointing downwards. Fix each joint with three stainless rivets or self tapping screws.
8. Place ceiling plate with folded edges upwards over Fire spigot.
9. Position the flue into the Fire spigot. The flue can either be lowered from the top as a single unit or fed up from the room a length at a time, ensuring that all joints are fixed properly.
10. Slide the inner casing into place, between the outer casing and the flue.
11. The flue must extend 200mm above the outer casing.  
NOTE: extra lengths of flue, inner and outer casing may be required to achieve the minimum clearance from the roof.
12. Slide top spacer over flue down into outer and inner casing and tighten.
13. Slide cowl over flue until it rests on spacer. Secure with rivets or self-tapping screws.
14. Fit Rain Hat. Do not fasten as it must be removable for flue cleaning.
15. Fix ceiling plate to ceiling maintaining an even gap all around



**WARNING:** The Fire and Flue system shall be installed in accordance with AS/NZS 2918:2001 and the appropriate requirements of the relevant building code or codes. Firenzo/SFP Flue Kits or Davin Flue Kits must be used.

**CAUTION:** Mixing of Fire or Flue system components from different sources or modifying the dimensional specifications of components ie using more than 1 metre of Flue may result in hazardous conditions. Where such action is considered the manufacturer should be consulted in the first instance.

## FLUE SYSTEM MINIMUM HEIGHT



### NOTES:

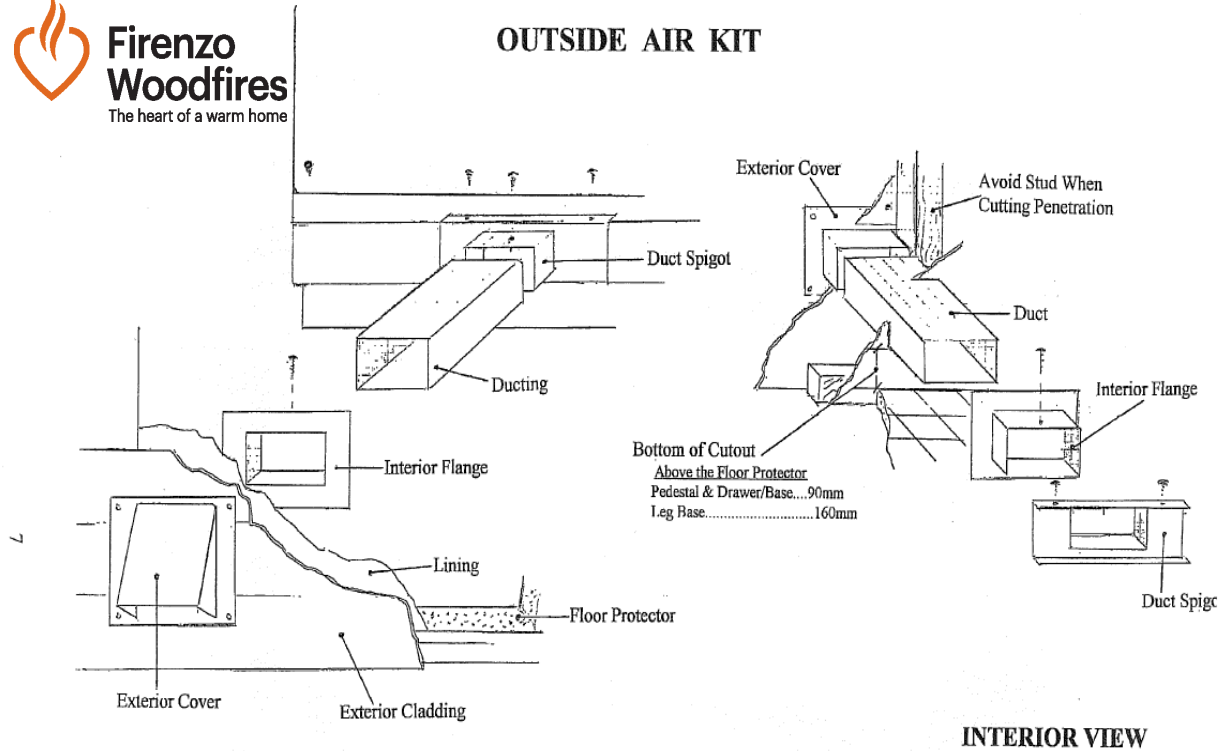
1. The flue shall extend not less than 4.6m above the top of the floor protector.
2. The flue cowl must be at least 600mm above the highest point of the roof if within 3 metres of it, or 1 metre above the roof penetration if more than 3 metres from the ridge.
3. No part of the building, or any adjacent building may be in or above a circular area of a horizontal radius of 3 metres from the flue exit.

# OUTSIDE AIR KIT EXPLODED VIEW

## BRONTE AG



### OUTSIDE AIR KIT



**EXTERIOR VIEW**

**INTERIOR VIEW**

*Manufactured by*  
**Hewitsons Limited**  
 Hawkes Bay, New Zealand

**The part of the Duct that goes through the wall is 90mm wide and 70mm deep.**  
**All work carried out must meet the New Zealand Building Code or Codes.**

# OUTSIDE AIR KIT

## INSTALLATION INSTRUCTIONS

### BRONTE AG

**To gain optimum performance from your Fire we recommend you fit an outside Air Kit. All Fires need heat, oxygen and fuel to work efficiently. With all new homes being so well insulated, double glazed and having extraction fan units, the Fire can be starved of oxygen resulting in making the fire hard to start and smoky. If the Fire is pulling oxygen from the room it has already heated, it is pulling in warm air that you have already paid to heat.**

1. Establish position of Fire before fixing.
2. Cut holes in both lining and exterior cladding of approx. 100mm wide and 75mm high to accommodate duct (see drawings).
3. If a wall stud is located at centre of Fire position. The wall penetration should be moved to one side. Allowance is made on the Fire to move ducting laterally by placing offset duct spigot in appropriate position.
4. Remove rear heat shield and fit duct spigot by drilling and securing to body ensuring that it lines up with the wall penetration.
5. Replace heat shield and secure the Fire in place.
6. From outside feed the duct through the wall, slip the interior flange over the duct and push into the duct spigot on Fire. (Mark and trim the duct if necessary, this should terminate approximately 5-10mm short of the external wall face).
7. Place the external cover over the duct and fix with the 4 screws provided.
8. Slide interior flange against lining and secure to duct.
9. Outside Air Kit must be fitted to relevant Building Code or Codes.

## 7. OPERATING INSTRUCTIONS

**PLEASE READ CAREFULLY BEFORE PROCEEDING ANY FURTHER.**

**PLEASE KEEP THIS BOOK IN A SAFE PLACE.**

### FIRST BURN:

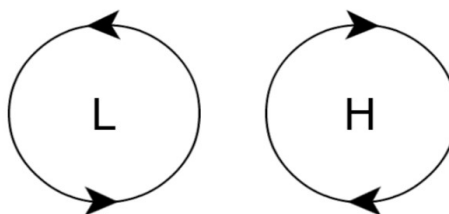
On the INITIAL LIGHTING ONLY, the high temperature paint used on your Fire will give off smoke and odour for several hours. As this is a temporary condition, open doors, windows, etc. to give adequate ventilation.

1. Prepare Fire by placing crumpled paper in middle of firebox. Do not use a grate, or elevate fire. Build fire directly on floor of firebox.

2. AIR CONTROL KNOB:

**L = LOW**

**H = HIGH**



3. Arrange dry kindling in “tepee” style with larger pieces standing up on each side. Ignite paper leaving door ajar until kindling is alight.

4. When vigorous flaming of the kindling subsides and embers begin to appear, reload with larger wood, placing them in a front to back configuration.

5. Open door carefully and place small pieces, then larger logs on top.

6. Close door tight and leave Air Control on ‘HIGH’ for some 30 minutes. The value in establishing this technique is that you are providing an excellent base for burning your wood effectively and without smoke therefore pollution free.

7. When a good fire is established move air control to middle position. **DO NOT IMMEDIATELY SHUT THE FIRE TO ‘LOW’.** Remember to close the air control gradually to your desired level of heat output. It is better to take 3-4 adjustments to get to the low setting (extended burn).

### RELOADING:

**WARNING: IT IS NECESSARY TO MOVE THE AIR CONTROL TO ‘HIGH’ BEFORE OPENING THE DOOR.**

Never open the door when a vigorous fire is in progress. Wait until the flames have subsided and the wood has broken up into glowing embers. Reload with dry logs in a **front to back formation** (i.e. parallel to the sides).

**Leave the air control on the ‘High’ position for 10 to 15 minutes or until the flames begin to subside. This shows that the initial highly volatile wood gases have been driven off and the Fire will be able to maintain an even burning rate.**

Normally a light load of fuel will stabilize quickly but a full load will take longer. Once the burning rate has stabilized move the Air Control to a medium position.

## RE-LOADING AFTER AN EXTENDED BURN TIME

**At the end of an extended burn, re-establish the fire by adding a few small split logs, adjust the Air Control to 'High' and allow the firebox temperature to build up before adding the balance**

The addition of large quantities of cold fuel to a low fire will reduce the firebox temperature dramatically and this may result in 'losing' the fire.

Proceed with fire as before.

**Do NOT operate the Fire with the door constantly open**, this overrides the Air Control and greatly lowers optimum heat output, efficiency and increases emissions.

## FLAMMABLE LIQUIDS:

**WARNING: DO NOT USE FLAMMABLE LIQUIDS E.G. GASOLINE-TYPE FUEL, KEROSENE, CHARCOAL LIGHTER FUEL, ETC OR AEROSOLS TO START OR REKINDLE THE FIRE.**

## STORAGE OF FUEL:

**WARNING: DO NOT STORE FUEL WITHIN FIRE INSTALLATION CLEARANCES.**

It takes from **12-24 months** to dry wood properly. Drying wood gives off a lot of water. To prevent rot and speed drying, you should provide good air circulation around the woodpile. Use a few boards to keep your wood level and off the ground. Cover wood so it is waterproof but make sure you let the sides breathe. Open-sided sheds offer an ideal way to store wood and keep it dry.

## CLEANING THE ASHES FROM THE FIRE:

### Disposal of Ashes:

Ashes should be placed in a metal container with a tight fitting lid. The closed container of ashes should be placed on a non-combustible floor on the ground, well away from all combustible materials, pending final disposal, If the ashes are disposed of by burial in soil or otherwise locally dispersed, they should be retained in the closed container until all cinders have thoroughly cooled.

A LAYER OF ASH AT LEAST 25MM DEEP SHOULD ALWAYS BE LEFT IN THE BOTTOM OF THE FIRE TO PROTECT THE BOTTOM OF THE FIREBOX AND IT WILL ALSO ACT AS 'INSULATION' FOR THE FIRE.

**WARNING: DO NOT REMOVE EXCESS ASH FROM THE FIREBOX BY VACUUM UNLESS THE FIRE HAS BEEN OUT FOR 5 OR MORE DAYS—EMBERS WILL SMOULDER FOR SEVERAL DAYS AND WILL IGNITE VACUUM CLEANER BAGS.**

## 8. DOOR GLASS

The **Bronte AG** is equipped with a self-cleaning glass air wash system. A discolouration can form after a long 'low' burn, but 30 minutes of 'high' burn should clear it from the glass.

**Clean glass with wet newspaper dipped in ash from the firebox, then wipe glass. Do NOT clean the glass while hot.**

**CAUTION: THIS FIRE SHOULD NOT BE OPERATED WITH A CRACKED GLASS.**

If a replacement of glass is required:

**GLASS MUST BE REPLACED WITH FIRENZO CERAMIC GLASS**

Insulating material for the glass should be replaced at this time also. NEVER place glass directly against the door. Without the insulation seal tape in place, the glass is likely to shatter. Your Firenzo agent will be able to supply any spare parts.

## 9. MAINTENANCE

### SECONDARY CHAMBER:

The baffles (horizontal bricks in the ceiling of firebox) are critical to the Fires performance. They should be checked annually during flue cleaning and replaced if signs of deterioration are evident.

1. Lift the cast top plate from the unit and remove.
2. Remove any soot and creosote build-up from the secondary chamber.
3. Check baffles.
4. Replace cast top and steel top plate.

### FLUE:

Creosote is caused by burning wet fuel, leaving particles and condensation to build up on the inside of any closed solid fuel Fire. Creosote and soot left to build up can cause decreased heat performance and flue fires. Your heating retailer or local reputable chimney sweep will be able to assist with flue cleaning. Before commencing the flue clean it is best to remove the baffles to avoid breakages. To do this, first lift the cast top (take care it will be heavy and dirty underneath), take out the remaining baffles.

### DOOR HANDLE AND HINGES:

Light lubrication is recommended once a year before the first autumn burn. Use a little GRAPHITE grease, available from any garage or engineering outlet. Take care not to over wind the nut on handle as this will strip the spindle thread.

## SECONDARY AIR TUBE:

The Secondary Air Tubes are a consumable item and are serviceable. Please check on a regular basis for wear and tear.

## FIRE BRICKS:

The internal fire bricks on the sides and base of the firebox can crack in extreme heat. However they are safe to leave as is until they start to crumble in which case they should be replaced.

## FIRE ROPE:

As part of the general maintenance the door rope and glass tape should be checked and replaced regularly. Failure to do this may overfire your Fire.

## WELDS:

The 5mm exposed steel sill and deflector in the fire box is welded on each side but primarily to the firebox underneath. With expansion and contraction the side welds develop hairline cracks. Do not be alarmed the main weld is sound and the Fire will not be effected in any way. Any hairline cracks are not a structural problem.

## INTERNAL DISCOLOURATION:

A brown (rust like) colouration will develop on the exposed inside of the fire box. This is expected over time and does not affect the performance of the fire.

# 10. SAFETY

All surfaces on the **Bronte** will get hot and cause burning if touched by bare Hands. We recommend using a fireguard.

The heat from the Fire will effectively dry laundry and other wet articles; however such materials should be kept well clear of the Fire to prevent accidental fires.

**The flue should be cleaned regularly (at least annually prior to the winter) to avoid flue fires. In such an event, close the air control. Do NOT open door.** Remove combustible items from near the Fire and Flue.

## 11. WARRANTIES

Terms applicable to Firenzo Woodfires' warranties (current as at 29<sup>th</sup> May 2015):

1. Hewitsons Limited (company number 569753) with a specified address of 98 Niven Street, Onekawa, Napier (Firenzo) and trading as Firenzo Woodfires give:
  - a ten (10) year warranty but **ONLY** for the steel firebox, fascia's and cast iron components of all Firenzo Woodfires.
  - a one (1) year warranty for all other parts and finishes of a Firenzo Woodfire including its refractory linings, glass, air supply components, wetback, seals, tapes and extrusions.
2. The warranty periods commence on the original date of sale of the relevant Firenzo Woodfire to a consumer (please see paragraph 5).
3. The warranties are given in respect of any defects in the specified Firenzo component parts and materials and Firenzo workmanship that render the component parts and materials unfit for normal domestic use.
4. The warranties have qualifying limitations, restrictions and conditions attached to them. Please see paragraphs 5, 6, 7, 9 and 13.
5. Firenzo Woodfires gives the warranties only to New Zealand consumers as defined in the Consumer Guarantees Act 1993. Please also see paragraph 16. The warranties are additional to the rights available to consumers against the manufacturer under the Consumer Guarantees Act 1993. To the fullest extent permitted at law, no other warranties or guarantees, express or implied, are assumed or given by Firenzo Woodfires to any person with respect to the quality, merchantability, description or fitness for purpose or use of Firenzo Woodfires or their component parts and materials.
6. Firenzo Woodfires is not liable for, and to the maximum extent permitted by law excludes any liability for, any consequential loss or damage arising out of the installation, ownership or use of a Firenzo Woodfire. To the extent such liability cannot lawfully be excluded, Firenzo Woodfires' liability is limited to the purchase price paid for the Firenzo Woodfire.
7. The warranties do not apply to:
  - normal wear and tear.
  - performance issues or limitations affecting a Firenzo Woodfire arising out of prevailing site conditions such as downdraughts or insufficient draw or from, incorrect servicing adjustments or incorrect flue components or installation.
8. The warranties may be assigned to other consumers (as defined in the Consumer Guarantees Act 1993) on any sale of the residential property where a Firenzo Woodfire has been installed.
9. For information (including claim procedures) concerning potential claims, potential warranty claimants should contact:
  - in the first instance, the retailer/dealer from whom the Firenzo Woodfire was originally purchased;
  - or (if the retailer/dealer is not contactable or does not address the claim to the claimant's satisfaction) Firenzo Woodfires at the specified address (page 13).

10. After complying with paragraph 9, for valid claims, a warranty claimant must submit a completed warranty claim form (see Firenzo Woodfires website, or contact Firenzo Woodfires for this form), or other form acceptable to Firenzo Woodfires providing the Model and Serial Number details (page 15), including the date of purchase and specifying the defect:
  - to the retailer/dealer from whom the Firenzo Woodfire was originally purchased;
  - or to Firenzo at the specified address.
11. The warranty claimant is responsible for paying any service call fees, transport charges and for any damages and loss incurred in transit to the Firenzo Woodfire or its component parts and materials, to and from Firenzo Woodfires or its designated accredited agent. Where Firenzo Woodfires honours a warranty, as described in paragraph 12, it will reimburse the warranty claimant any transportation costs they have incurred.
12. Firenzo Woodfires or its designated accredited agent (please see paragraph 15) will replace any component parts and materials covered by the warranties or the entire Firenzo Woodfire, at its discretion, where Firenzo Woodfires is reasonably satisfied a defect is solely due to faulty Firenzo Woodfires workmanship or materials.
13. Firenzo Woodfires may decline (in whole or part) to honour a warranty claim:
  - until any amounts due but unpaid by a consumer in respect of the Firenzo Woodfire or its servicing are paid.
  - until Firenzo is provided with the applicable compliance and installation permits (please see below);
    - if it appears to Firenzo that the Firenzo Woodfire has:
    - not been installed correctly at the specified residential address, or not been operated and maintained strictly in accordance with the manufacturer's instructions, AS/NZS 2918:2001 and any relevant building code or consent or these warranty terms.
    - not been inspected and confirmed after installation as a compliant installation (with the requisite specifications and permits).
    - not been regularly maintained and at least annually serviced.
    - been operated with faulty, worn or missing seals.
    - been subject to misuse, neglect, or accident in transit, storage or use.
    - been damaged by water ingress in any way, including any surface rust which has occurred in transit or storage. However, this exclusion will not apply to any damage to the Firenzo Woodfire which is determined to have been caused by the wetback.
    - been over fired or has used any fuel other than clean dry firewood (having 25% or less moisture content), including any chemically treated timbers or driftwood.
    - if it appears to Firenzo that the defect is attributable to a failure to replace consumable parts or components or materials within a timely manner to maintain their durability.
14. Firenzo reserves the rights to alter or supplement the warranties, but no alteration will reduce a consumer's rights under the warranties that applied at the date of original acquisition of the applicable Firenzo Woodfire. In the event of any inconsistency between the warranties and any other written Firenzo Woodfires material, including a manual, the warranties shall prevail to the extent of the inconsistency.
15. No person other than a designated accredited agent can bind Firenzo Woodfires with respect to Firenzo Woodfires obligations under the warranties, and then only in accordance with the agent's actual authorities. A person is a designated accredited agent where they are identified and certified in writing by Firenzo Woodfires to be such with their authorities specified in the certificate. Consumers must take reasonable steps to satisfy themselves that they are dealing with designated accredited agents.
16. The warranties do not apply to export sales of Firenzo Woodfires. Separate terms apply to those sales.

This document is intended to form part of (and may be expressly referenced in) the terms of sale and purchase by every original New Zealand consumer of a Firenzo Woodfire. For any questions about the warranties or this document please contact Firenzo Woodfires at its specified address, on telephone 06 8438260, by email at [firenzo@firenzo.co.nz](mailto:firenzo@firenzo.co.nz), or via the Firenzo website [www.firenzo.co.nz](http://www.firenzo.co.nz).

A copy of this document is to be executed by Firenzo as a deed poll in favour and for the benefit of the New Zealand consumers described in it and to be kept for inspection purposes with Firenzo's corporate records at its specified address.

## **Model: Bronte AG**

Serial No: \_\_\_\_\_

Date of Purchase: \_\_\_\_\_

Purchased from: \_\_\_\_\_

**Please complete for your reference**





# Firenzo Woodfires

Manufacturers of:

[Freestanding](#)

**Bronte**

**Contessa**

**Encore**

**Lady Kitchener**

**Napier**

**Viking**

**Vision**

**Stella**

**Topaz**

[Insert](#)

**Aqualux**

**Bay Fire**

**Flush**

**Kompact**

**Topaz**

98 Niven Street

PO Box 3231

HB Mail Centre

Napier 4142

Phone: 06 843 8260

Website: [www.firenzo.co.nz](http://www.firenzo.co.nz)

email: [firenzo@firenzo.co.nz](mailto:firenzo@firenzo.co.nz)