



Viking

Please read this booklet and keep for future reference for the safe installation and operation of your:

Models: AG Dry
AG Wet
RU Dry
RU Wet



INSTALLATION AND OPERATION GUIDE

VIKING AG DRY AUTHORISATION NUMBER 102465

VIKING AG WET AUTHORISATION NUMBER 102472

AG: Clean Air approved. Meets ECAN Standards of 0.9g and 68% efficiency.

RU: RURAL ONLY For properties of 2 hectares or more in areas not under an air quality control scheme.

This Woodfire must be installed by someone competent to do so, Firenze recommends the use of a NZ Home Heating Association, Solid Fuel Appliance Installation Technician (SFAIT), or other suitably qualified person. The Woodfire and flue system must be installed in accordance with AS/NZS2918. All installations must be in accordance with these instructions. Consult with the building authority having jurisdiction to determine the need for a permit prior to commencing the installation. Failure to follow these instructions may also void your Woodfire insurance and warranty.

This Woodfire has been tested to Appendix E & B of the joint Australia/New Zealand Standard 2918:2001.

CONTENTS

1	WARNINGS	3
2	INSTALLATION RESPONSIBILITIES	4
3	FLOOR PROTECTOR REQUIREMENTS	4
4	INSTALLATION CLEARANCES	5
5	ASSEMBLY INSTRUCTIONS.....	6
6	WETBACK	7
7	FREESTANDING FLUE SYSTEM	8
	FLUE SYSTEM MINIMUM HEIGHT	9
8	OUTSIDE AIR KIT INSTALLATION	10
9	OPERATING INSTRUCTIONS	12
	FIRST BURN:	12
	RELOADING:	12
	RE-LOADING AFTER AN EXTENDED BURN TIME	13
	FLAMMABLE LIQUIDS:	13
	STORAGE OF FUEL:.....	13
	REMOVING THE ASHES FROM THE WOODFIRE:	13
	POWDER COATED TOP	13
10	MAINTENANCE	14
	SECONDARY CHAMBER:.....	14
	FLUE:	14
	DOOR HANDLE AND HINGES:	14
	DOOR GLASS	14
	SECONDARY AIR TUBE:.....	14
	FIRE BRICKS:	15
	FIRE ROPE:.....	15
	WELDS:.....	15
	INTERNAL DISCOLOURATION:	15
11	SAFETY	15
12	WARRANTIES.....	16

Under our policy of continuous product improvement, Firenzo reserves the right to alter specifications or product from that shown.

1 WARNINGS

This Woodfire should be maintained and always operated in accordance with these instructions.

If this Woodfire is incorrectly installed a house fire may result. For your safety follow the installation instructions carefully.

Do **NOT** connect the Woodfire to a chimney serving another fire.

Although the exterior of the Woodfire may appear cool, contact with the unit may cause burns, warn children and others of the possibility of injury should they touch the Woodfire.

Do **NOT** dry clothing or unseasoned wood directly in contact with the Woodfire.

Keep all household combustible materials at least 600mm away from front of the Woodfire. This includes clothing, furniture, wood, newspaper, plastic, matches, etc.

Do **NOT** use flammable liquids or aerosols the vicinity of this Woodfire when it is operating.

Use caution when reloading fuel. Do **NOT** attempt to load fuel into the Woodfire when the fire inside is at, or near, its peak.

Do **NOT** burn large quantities of paper or combustible material that would create an extremely hot/quick fire.

Do **NOT** burn highly coloured paper or brochures (junk mail).

USE ONLY DRY WOOD (25% or less moisture content). AVOID BURNING WET OR GREEN WOOD.

The use of preservative treated timber as a fuel can be hazardous. Timber treated with copper chromium and arsenic type preservatives will leave toxic residues in the ash, firebox or within the flue, timber offcuts from building construction will often contain boric salts. The combustion of this material over prolonged periods can produce adverse effects on the refractory lining of the Woodfire. Emission of poisonous gases can also be experienced with the burning of treated wood.

Driftwood with salt content will also cause rapid deterioration of the Woodfire and should not be used.

2 INSTALLATION RESPONSIBILITIES

Warning: The Woodfire and Flue system shall be installed in accordance with AS/NZS 2918 and the appropriate requirements of the relevant building code or codes.

Any modification of the Woodfire that has not been approved in writing by the testing authority is considered to be in breach of the approval granted for compliance with AS/NZS 4013.

Caution: Mixing of fire or flue-system components from different sources or modifying the dimensional specification of components may result in hazardous conditions. Where such an action is considered, the manufacturer should be consulted in the first instance.

Strict adherence to these instructions will meet these standards. Any variation from these installation instructions or any doubt about them must be checked against the requirements of the standards.

Please leave this manual with the owner when installation is complete

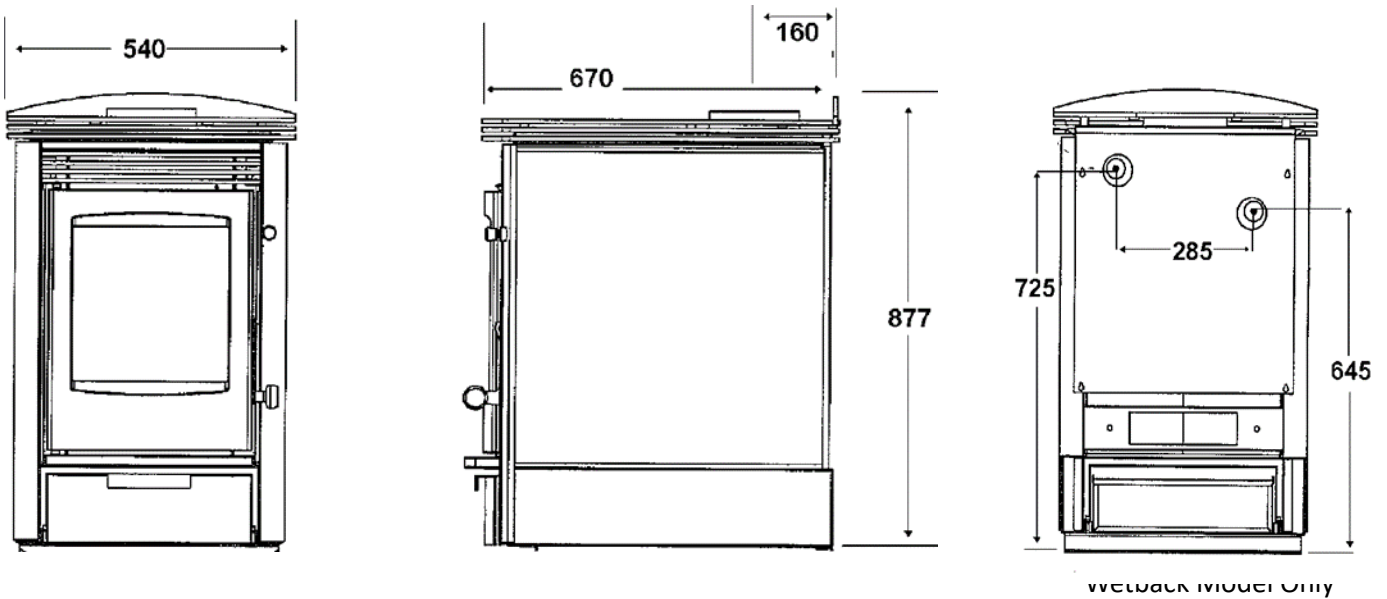
3 FLOOR PROTECTOR REQUIREMENTS

The Woodfire should always be installed on top of its base due to high temperatures sustained over long periods. The base must be anchored to both the floor protector and the floor for seismic restraint. Anchor points are provided in the base.

If the Woodfire is installed on or within 500mm of a heat sensitive floor, **then an ash floor protector using a minimum of 6mm thick tiles will be required.** This floor protector shall extend under the Woodfire and not less than 300mm beyond the front of the fuel loading (door) or ash removal openings. The width of the floor protector shall be not less than the width of the Woodfire and shall extend not less than 200mm from each side of the fuel loading (door) or ash removal openings unless it forms an abutment with a wall or heat shield at a lesser distance.

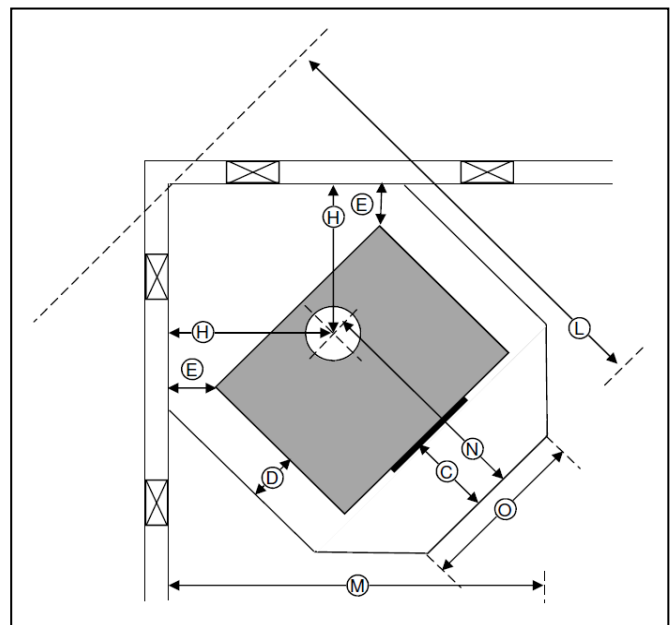
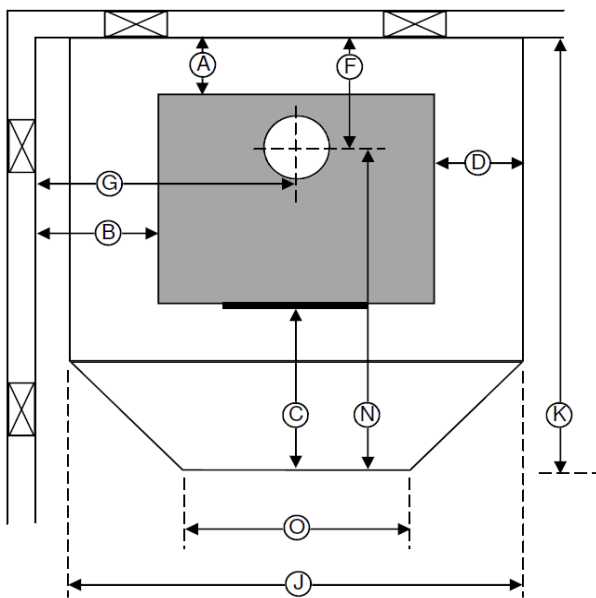
Where the floor protector consists of a number of components, it shall include a continuous layer of heat-resistant material extending under the Woodfire to the perimeter of the floor protector. All joints shall be fixed to prevent accidental separation and must be sealed to prevent any spilt ash or embers contacting any heat sensitive material.

4 INSTALLATION CLEARANCES



Internal Firebox size: Height 340mm—Width 320mm—Depth 520mm
 Flue Size: 150mm
 Heating Area: estimate 200sqm

CLEARANCES	A	B	C	D	E	F	G	H	J	K	L	M	N	O
(mm)	100	320	300	120	50	260	590	350	780	1040	1280	1060	780	410



5 ASSEMBLY INSTRUCTIONS

- 1) Remove all outer packaging and timber.
- 2) Remove slotted steel top plates from rear of Woodfire and cast-iron top plates from inside the Woodfire and carefully set aside, taking care not to scratch or damage the paint finishes.
- 3) Position Woodfire onto floor protector ensuring it complies with the clearances as shown on page 5.

DO NOT ATTEMPT TO LIFT THE WOODFIRE BY THE GRANITE ASH LIP.

- 4) Make sure the baffle bricks and the stainless-steel flue gas deflectors are correctly sited.
- 5) Install the rear cast-iron plate and then the front cast-iron plate onto the rope seals around the top of the firebox and ensure they are bedded down well. Lifting lugs are positioned onto the sides of the casting, taking care not to catch fingers under the plates.
- 6) Assemble and install the flue as per instructions on pages 7 & 8.
- 7) A flue shield must be fitted; the minimum requirement is for a single skin, semi-circular, stainless steel flue shield with a reflective inner surface 1200mm high. This should be installed so that the bottom edge of the flue shield is 20mm from the top surface of the woodfire and spaced off the flue by approximately 35mm.
- 8) Secure the Woodfire to the floor by using 6-8mm Dyna Bolt fastenings through the holes provided in the rear of the base plate. This is a New Zealand Standard 2918 requirement due to New Zealand being earthquake prone.
- 9) Carefully position the main slotted steel painted top panel onto the Woodfire, there are locating lugs on the underside that fit into the indents on the cast-iron tops that ensure it is correctly positioned. Slide in the rear infill top plate behind the flue and the curved top plate locates into the lugs onto the back edge.

6 WETBACK

The **Viking AG Wet** and **Viking RU Wet** are fitted with a wetback to supplement the hot water system.

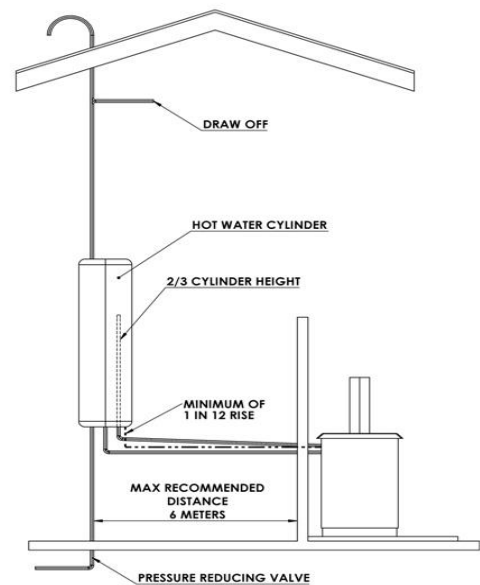
Warning: Do **not** connect to an unvented hot water system.

DO NOT USE THIS WOODFIRE WITHOUT WATER RUNNING THROUGH THE WETBACK.

Install in accordance with AS 3500.4.1 or NZS 4603 and the appropriate requirements of the relevant building code or codes.

For best performance, apply the following rules:

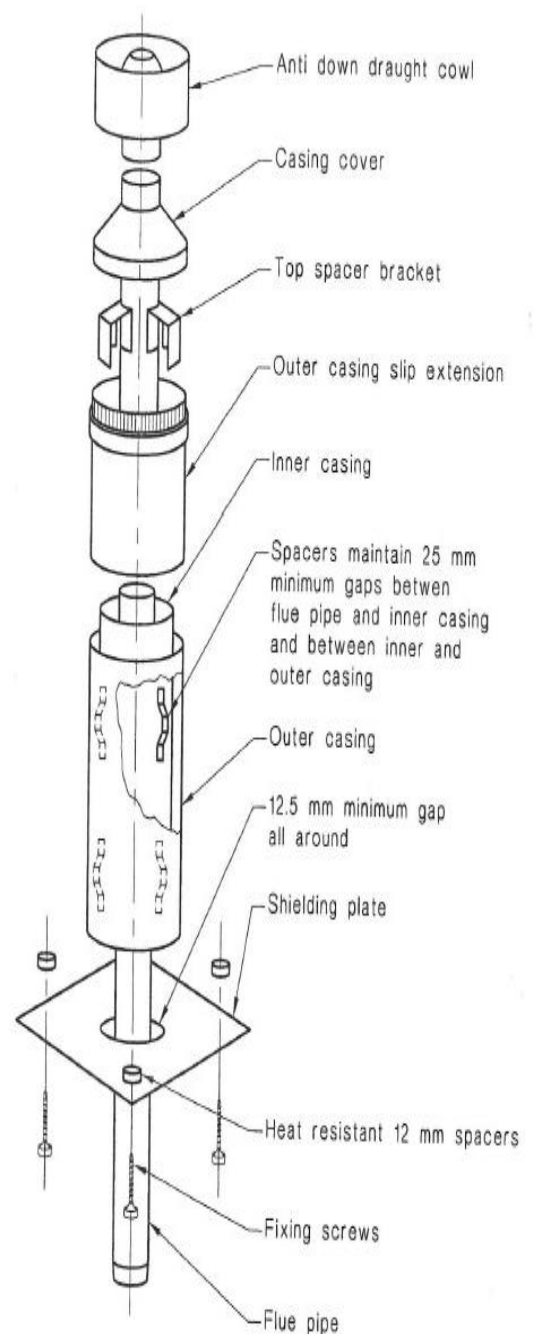
- 1) Keep it simple with the shortest and straightest possible pipe run.
- 2) The Woodfire should be within 6 metres of the hot water cylinder – ideally, as close as possible.
- 3) The flow pipe from the Woodfire to the Cylinder must rise – the cylinder should be at least 300 mm above the water-booster outlet.
- 4) Use only 25mm supply and return pipes.
- 5) Where possible the pipes should be insulated.
- 6) Ensure the wetback does not touch the baffle bricks.



Warning: Care must be taken to protect the wetback coil and associated pipe work if being installed in a hard/corrosive water area. Damage caused to the Wetback coil if fitted in a hard/corrosive water area will not be covered under the manufacturer's warranty.

7 FREESTANDING FLUE SYSTEM

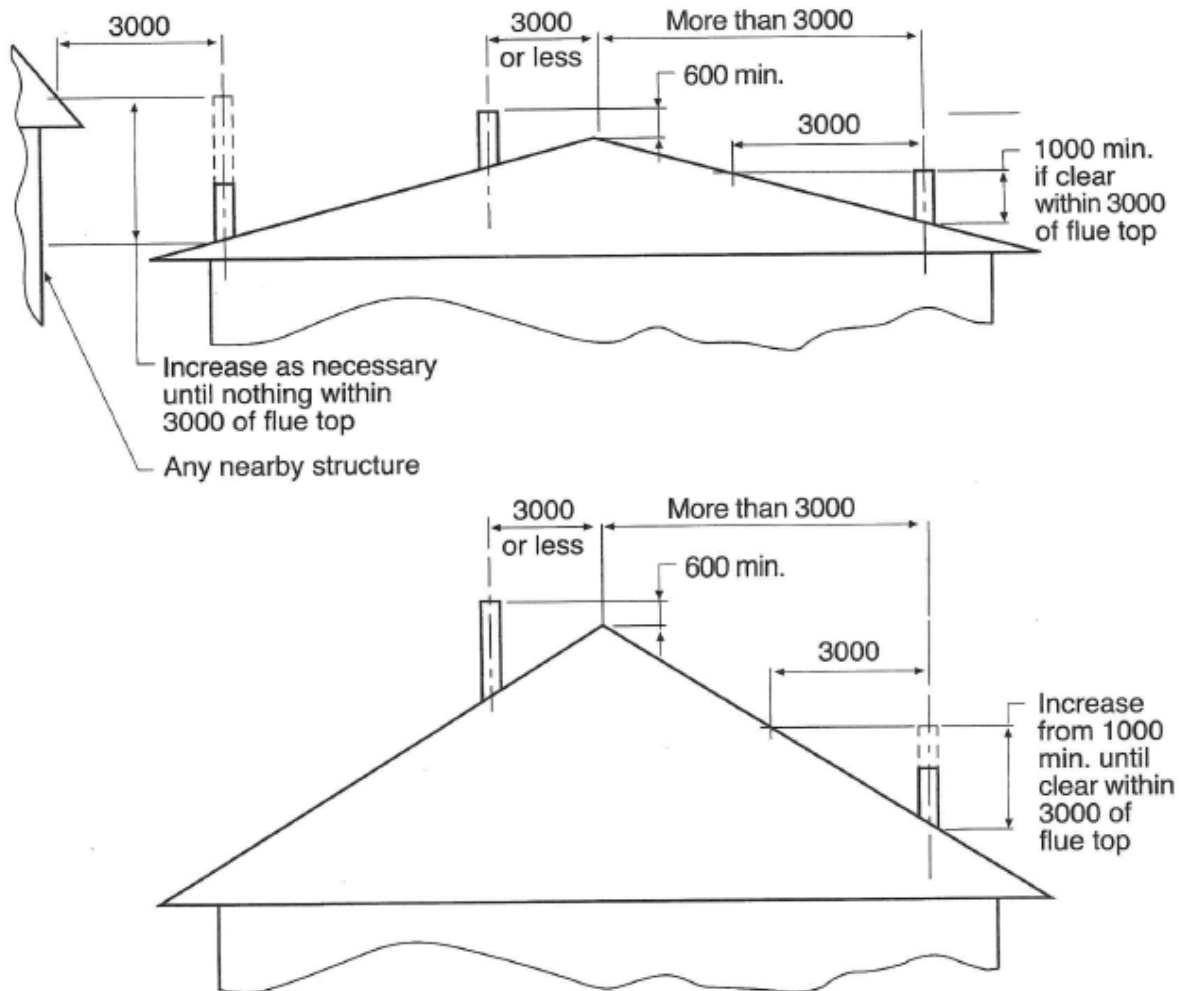
- 1) Position Woodfire on floor protector ensuring all clearances are correct as indicated on page 5.
- 2) Once the location is confirmed, the Woodfire and floor protector shall be fixed to the floor itself.
- 3) Extend a plumb line from the centre of the flue spigot to the ceiling. Mark position on ceiling and roof.
- 4) Trim hole and nog as required. Fix with non-combustible spacers and screws or clouts on all four sides.
- 5) Cut and frame (when required) an opening in the roof, position the outer casing through the roof until it is flush with the underside of the ceiling. Fix as in step 4.
- 6) Fix appropriate flashing around outer casing to the roof to ensure a weatherproof seal.
- 7) Assemble flue sections ensuring all seams are in line, the assembly is straight and crimped. Ends are pointing downwards. Fix each joint with three stainless rivets or self-tapping screws.
- 8) Place ceiling plate with folded edges upwards over Flue spigot.
- 9) Position the flue into the Flue spigot. The flue can either be lowered from the top as a single unit or fed up from the room a length at a time, ensuring that all joints are fixed properly.
- 10) Slide the inner casing into place, between the outer casing and the flue.
- 11) The flue must extend 200mm above the outer casing.
NOTE: extra lengths of flue, inner and outer casing may be required to achieve the minimum clearance from the roof.
- 12) Slide top spacer over flue down into outer and inner casing and tighten.
- 13) Slide cowl over flue until it rests on spacer. Secure with rivets or self-tapping screws.
- 14) Fit Rain Hat. Do not fasten as it must be removable for flue cleaning.
- 15) Fix ceiling plate to ceiling maintaining an even gap all around the flue. **NOTE:** Ensure ceiling plate is spaced off from the ceiling with ceramic spacers supplied.



WARNING: The Woodfire and Flue System shall be installed in accordance with AS/NZS 2918:2001 Appendix F and the appropriate requirements of the relevant building code or codes. Firenzo SFP Flue Kits or Davin Flue Kits must be used.

CAUTION: Mixing of fire or flue system components from different sources or modifying the dimensional specifications of components using more than 1 metre of extra flue may result in hazardous conditions. Where such action is considered, the manufacturer should be consulted in the first instance.

FLUE SYSTEM MINIMUM HEIGHT



NOTES:

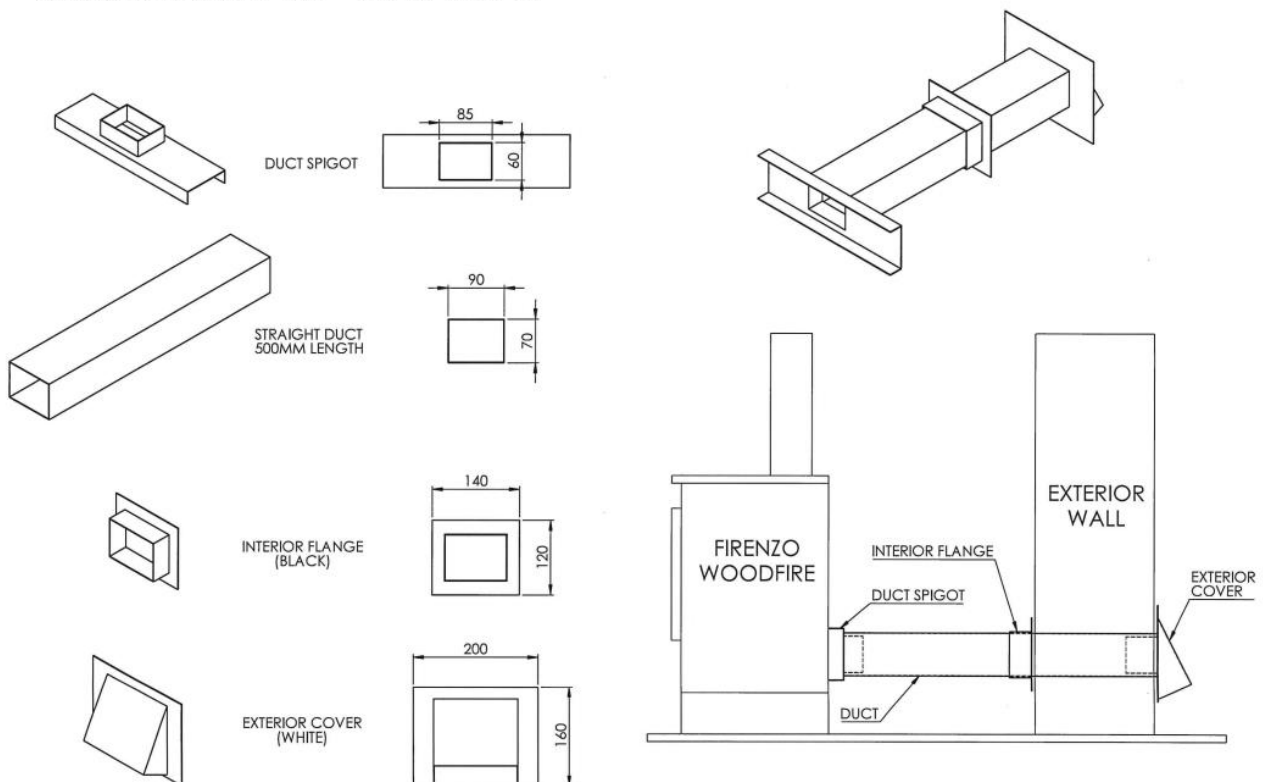
- 1) The flue shall extend not less than 4.6m above the top of the floor protector.
- 2) The flue cowl must be at least 600mm above the highest point of the roof if within 3 metres of it, or 1 metre above the roof penetration if more than 3 metres from the ridge.
- 3) No part of the building, or any adjacent building may be in or above a circular area of a horizontal radius of 3 metres from the flue exit.

8 OUTSIDE AIR KIT INSTALLATION

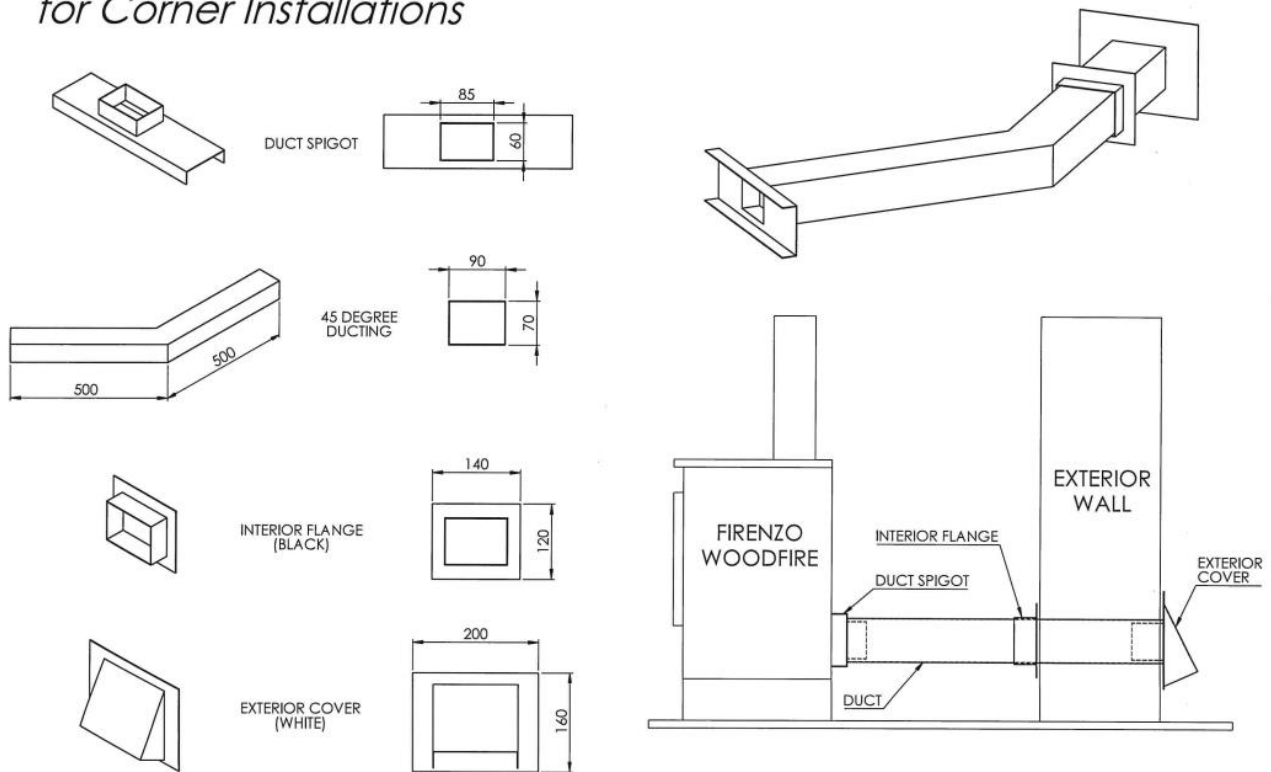
For optimal performance of your Woodfire, we recommend installing an Outside Air Kit. Efficient combustion requires heat, oxygen, and fuel. In modern, well-insulated homes with double glazing and extraction fans, the Woodfire may experience reduced oxygen supply, making it harder to ignite and potentially causing smoke. Additionally, if the Woodfire draws oxygen from the room, it uses the warm air that has already been heated, reducing overall energy efficiency.

- 1) Establish position of Woodfire before fixing.
- 2) Cut holes in both lining and exterior cladding of approx. 100mm wide and 75mm high to accommodate duct (see drawings).
- 3) If a wall stud is located at centre of Woodfire position the wall penetration should be moved to one side. Allowance is made on the Woodfire to move ducting laterally by placing offset duct spigot in appropriate position.
- 4) Remove rear heat shield and fit duct spigot by drilling and securing to body ensuring that it lines up with the wall penetration.
- 5) Replace heat shield and secure the Woodfire in place.
- 6) From outside, feed the duct through the wall, slip the interior flange over the duct and push into the duct spigot on Woodfire. (Mark and trim the duct, if necessary, this should terminate approximately 5-10mm short of the external wall face).
- 7) Place the external cover over the duct and fix with the 4 screws provided.
- 8) Slide interior flange against lining and secure to duct.
- 9) Outside Air Kit must be fitted to relevant Building Code or Codes.

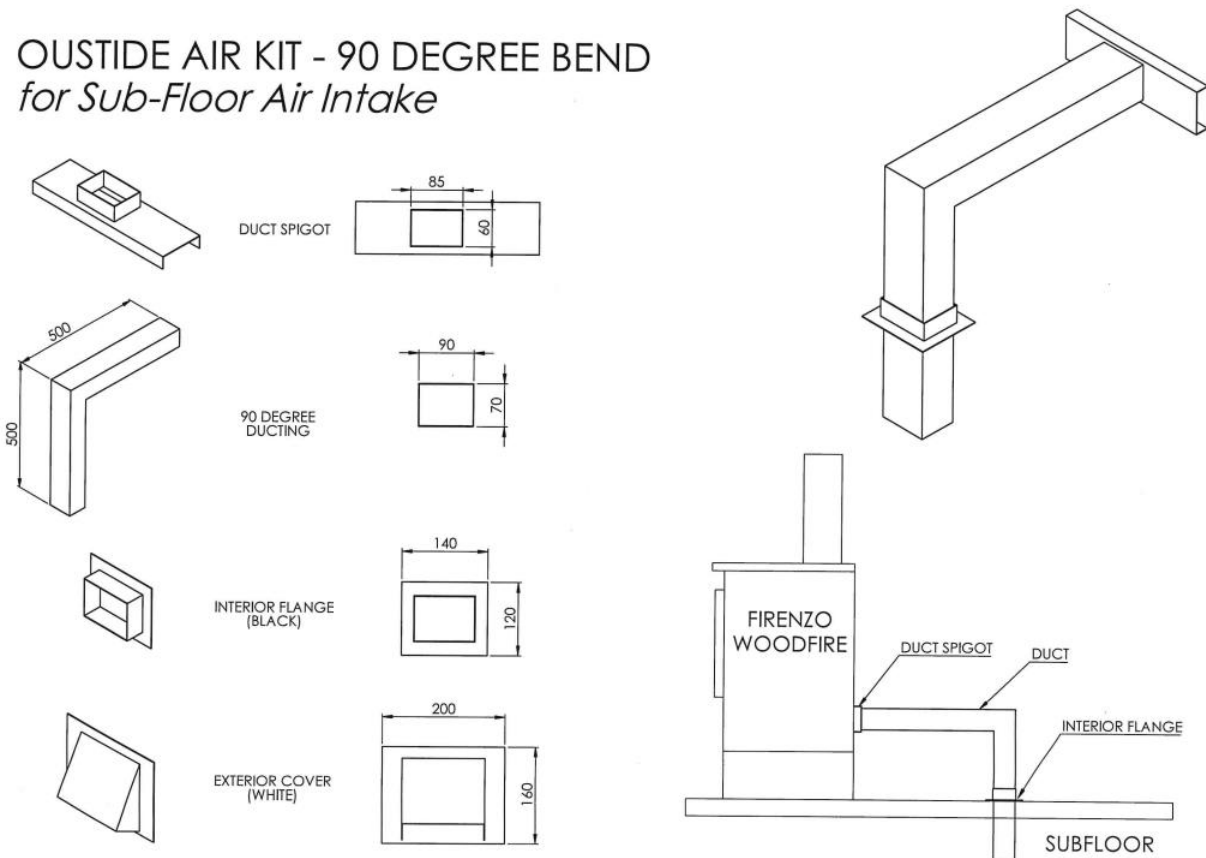
OUTSIDE AIR KIT - STRAIGHT



OUTSIDE AIR KIT - 45 DEGREE BEND for Corner Installations



OUTSIDE AIR KIT - 90 DEGREE BEND for Sub-Floor Air Intake



The part of the Duct that goes through the wall is 90mm wide and 70mm deep. All work carried out must meet the New Zealand Building Code or Codes.

9 OPERATING INSTRUCTIONS

PLEASE READ CAREFULLY BEFORE PROCEEDING ANY FURTHER. FOR FUTURE REFERENCE, PLEASE RECORD YOUR SERIAL NUMBER ON PAGE 17 AND KEEP THIS BOOK IN A SAFE PLACE.

FIRST BURN:

On the INITIAL LIGHTING ONLY, the high temperature paint used on your Woodfire will give off smoke and odour for several hours. As this is a temporary condition, open doors and windows to provide adequate ventilation.

- 1) Prepare fire by placing crumpled paper in middle of firebox. Do not use a grate or elevate fire. Build fire directly on floor of firebox.
- 2) Pull Air Control Knob out fully for high (this is the small knob to the right of the door).
AIR CONTROL OUT = HIGH
AIR CONTROL KNOB IN = LOW
- 3) Arrange dry kindling in “tepee” style with larger pieces standing up on each side. Ignite paper leaving door ajar until kindling is alight.
- 4) When vigorous flaming of the kindling subsides and embers begin to appear, reload with larger wood, placing them in a front to back configuration.
- 5) Open the door carefully and place small pieces, then larger logs on top.
- 6) Close the door tight and leave Air Control on ‘HIGH’ for some 30 minutes. The value in establishing this technique is that you provide an excellent base for burning your wood effectively and without smoke, therefore pollution free.
- 7) When a good fire is established move Air Control to middle position. **DO NOT IMMEDIATELY SHUT THE FIRE TO ‘LOW’**. Remember to close the Air Control gradually to your desired level of heat output. It is better to take 3-4 adjustments to get to the low setting (extended burn).

RELOADING:

WARNING: IT IS NECESSARY TO MOVE THE AIR CONTROL TO ‘HIGH’ BEFORE OPENING THE DOOR.

Never open the door when a vigorous fire is in progress. Wait until the flames have subsided and the wood has broken up into glowing embers. Reload with dry logs in a front to back formation (i.e. parallel to the sides).

Leave the air control on the ‘High’ position for 10 to 15 minutes or until the flames begin to subside. This shows that the initial highly volatile wood gases have been driven off and the Woodfire will be able to maintain an even burning rate.

Normally a light load of fuel will stabilize quickly but a full load will take longer. Once the burning rate has stabilized move the air control to a medium position.

RE-LOADING AFTER AN EXTENDED BURN TIME

At the end of an extended burn, re-establish the fire by adding a few small split logs, adjust the Air Control to 'High' and allow the firebox temperature to build up before adding the balance. The addition of large quantities of cold fuel to a low fire will reduce the firebox temperature dramatically and this may result in 'losing' the fire. Proceed with fire as before.

Do NOT operate the Woodfire with the door constantly open, this overrides the Air Control and greatly lowers the optimum heat output, efficiency and increases emissions.

FLAMMABLE LIQUIDS:

WARNING: DO NOT USE FLAMMABLE LIQUIDS e.g. GASOLINE-TYPE FUEL, KEROSENE, CHARCOAL, LIGHTER FUEL OR AEROSOLS TO START OR REKINDLE THE FIRE.

STORAGE OF FUEL:

WARNING: DO NOT STORE FUEL WITHIN WOODFIRE INSTALLATION CLEARANCES.

It takes from **12-24 months** to dry wood properly. Drying wood gives off a lot of water. To prevent rot and speed drying, you should provide good air circulation around the woodpile. Use a few boards to keep your wood level and off the ground. Cover wood so it is waterproof but make sure you let the sides breathe. Open-sided sheds offer an ideal way to store wood and keep it dry.

REMOVING THE ASHES FROM THE WOODFIRE:

Disposal of Ashes:

Ashes should be placed in a metal container with a tight-fitting lid. The closed container of ashes should be placed on a non-combustible floor on the ground, well away from all combustible materials, pending final disposal. If the ashes are disposed of by burial in soil or otherwise locally dispersed, they should be retained in the closed container until all cinders have thoroughly cooled.

A layer of ash at least 25mm deep should always be left in the bottom of the firebox to protect the firebox, and act as insulation for the Woodfire.

WARNING: DO NOT REMOVE EXCESS ASH FROM THE FIREBOX BY VACUUM UNLESS THE FIRE HAS BEEN OUT FOR 5 OR MORE DAYS AS EMBERS CAN SMOULDER FOR SEVERAL DAYS AND WILL IGNITE VACUUM CLEANER BAGS.

POWDER COATED TOP

We do **NOT** recommend using the top of the Woodfire for cooking as the paint may become discoloured and Firenzo accepts no responsibility should this occur.

Note: The top plate surface is a powder coated finish and is **NOT** designed as a direct cooking medium. The use of a trivet is recommended to prevent scratching the powder coated surface. Moisture or spillages must be wiped clean to prevent deterioration of the powder coated finish. If you want to cook, lift decorative top plate off and cook on the cast tops underneath.

10 MAINTENANCE

SECONDARY CHAMBER:

The baffles (horizontal bricks in the ceiling of firebox) are critical to the Woodfire's performance. They should be checked annually during flue cleaning and replaced if signs of deterioration are evident.

- 1) Lift the steel top plate and then the front cast top plate from the Woodfire and remove.
- 2) Remove any soot and creosote build-up from the secondary chamber.
- 3) Check baffles.
- 4) Replace cast top and steel top plate.

FLUE:

Creosote is caused by burning wet fuel, leaving particles and condensation to build up on the inside of the Woodfire. Creosote and soot left to build up can cause decreased heat performance and flue fires. Your heating retailer or local reputable chimney sweep will be able to assist with flue cleaning. Before commencing the flue clean it is best to remove the baffles to avoid breakages. To do this, first lift off the steel top plate and the front cast top (take care it will be heavy and dirty underneath), take out the remaining baffles.

DOOR HANDLE AND HINGES:

It is recommended to apply a light lubrication once a year, ideally before the first use in the autumn. Use a small amount of GRAPHITE grease, which can be purchased from any garage or engineering outlet. Take care not to overtighten the nut on door handle as this may damage the spindle thread.

DOOR GLASS

The Viking is equipped with a self-cleaning glass air wash system. A discolouration can form after a long 'low' burn, but 30 minutes of 'high' burn should clear it from the glass.

Clean glass with wet newspaper dipped in ash from the firebox, then wipe glass.

Do NOT clean the glass while hot.

CAUTION: THIS WOODFIRE SHOULD NOT BE OPERATED WITH CRACKED GLASS.

If a replacement of glass is required, glass must be replaced with FIRENZO CERAMIC GLASS.

Insulating material for the glass should be replaced at this time also. NEVER place glass directly against the door. Without the insulation seal tape in place, the glass is likely to shatter. Your Firenzo dealer will be able to supply any spare parts.

SECONDARY AIR TUBE:

The Secondary Air Tubes are a consumable item and are serviceable. Please check on a regular basis for wear and tear. Replacement Secondary Air Tubes are available from any Firenzo Dealer.

FIRE BRICKS:

The internal fire bricks on the sides and base of the firebox can crack in extreme heat. However, they are safe to leave as is until they start to crumble, in which case they should be replaced.

FIRE ROPE:

As part of the general maintenance, the door rope and glass tape should be checked and replaced regularly. Failure to do this may overfire your Woodfire.

WELDS:

The 5mm exposed steel sill and deflector in the fire box is welded on each side but primarily to the firebox underneath. With expansion and contraction, the side welds develop hairline cracks. Do not be alarmed, the main weld is sound and the Woodfire will not be affected in any way. Any hairline cracks are not a structural problem.

INTERNAL DISCOLOURATION:

A brown (rust like) discolouration will develop on the exposed inside of the fire box. This is expected over time and does not affect the performance of the Woodfire.

11 SAFETY

All surfaces on the Woodfire will get hot and cause burning if touched by bare hands. We recommend using a fireguard.

The heat from the fire will effectively dry laundry and other wet articles; however, such materials should be kept well clear of the Woodfire to prevent accidental fires.

The flue should be cleaned regularly (at least annually prior to the winter) to avoid flue fires. In such an event, close the air control. Do NOT open door. Remove combustible items from near the Woodfire and Flue.

12 WARRANTIES

Terms applicable to Firenzo Woodfires' warranties (current as of 29th May 2015):

- 1) Hewitsons Limited (company number 569753) with a specified address of 98 Niven Street, Onekawa, Napier and trading as Firenzo Woodfires give:
 - a. a ten (10) year warranty but **ONLY** for the steel firebox, fascia's and cast-iron components of all Firenzo Woodfires.
 - b. a one (1) year warranty for all other parts and finishes of a Firenzo Woodfire including its refractory linings, glass, air supply components, wetback, seals, tapes and extrusions.
- 2) The warranty periods commence on the original date of sale of the relevant Firenzo Woodfire to a consumer (please see paragraph 5).
- 3) The warranties are given in respect of any defects in the specified Firenzo component parts and materials and Firenzo workmanship that render the component parts and materials unfit for normal domestic use.
- 4) The warranties have qualifying limitations, restrictions and conditions attached to them. Please see paragraphs 5, 6, 7, 9 and 13.
- 5) Firenzo Woodfires gives the warranties only to New Zealand consumers as defined in the Consumer Guarantees Act 1993. Please also see paragraph 16. The warranties are additional to the rights available to consumers against the manufacturer under the Consumer Guarantees Act 1993. To the fullest extent permitted at law, no other warranties or guarantees, express or implied, are assumed or given by Firenzo Woodfires to any person with respect to the quality, merchantability, description or fitness for purpose or use of Firenzo Woodfires or their component parts and materials.
- 6) Firenzo Woodfires is not liable for, and to the maximum extent permitted by law excludes any liability for, any consequential loss or damage arising out of the installation, ownership or use of a Firenzo Woodfire. To the extent such liability cannot lawfully be excluded, Firenzo Woodfires' liability is limited to the purchase price paid for the Firenzo Woodfire.
- 7) The warranties do not apply to:
 - a. normal wear and tear.
 - b. performance issues or limitations affecting a Firenzo Woodfire arising out of prevailing site conditions such as draughts or insufficient draw or from, incorrect servicing adjustments or incorrect flue components or installation.
- 8) The warranties may be assigned to other consumers (as defined in the Consumer Guarantees Act 1993) on any sale of the residential property where a Firenzo Woodfire has been installed.
- 9) For information (including claim procedures) concerning potential claims, potential warranty claimants should contact:
 - a. in the first instance, the retailer/dealer from whom the Firenzo Woodfire was originally purchased;
 - b. or (if the retailer/dealer is not contactable or does not address the claim to the claimant's satisfaction) Firenzo Woodfires at the specified address (page 15).

- 10) After complying with paragraph 9, for valid claims, a warranty claimant must provide the Model and Serial Number details (page 17), including the date of purchase and specifying the defect:
 - a. to the retailer/dealer from whom the Firenzo Woodfire was originally purchased;
 - b. or to Firenzo at the specified address.
- 11) The warranty claimant is responsible for paying any service call fees, transport charges and for any damages and loss incurred in transit to the Firenzo Woodfire or its component parts and materials, to and from Firenzo Woodfires or its designated accredited agent. Where Firenzo Woodfires honours a warranty, as described in paragraph 12, it will reimburse the warranty claimant for any transportation costs they have incurred.
- 12) Firenzo Woodfires or its designated accredited agent (please see paragraph 15) will replace any component parts and materials covered by the warranties or the entire Firenzo Woodfire, at its discretion, where Firenzo Woodfires is reasonably satisfied a defect is solely due to faulty Firenzo Woodfires workmanship or materials.
- 13) Firenzo Woodfires may decline (in whole or part) to honour a warranty claim:
 - a. until any amounts due but unpaid by a consumer in respect of the Firenzo Woodfire or its servicing are paid.
 - b. until Firenzo is provided with the applicable compliance and installation permits.
 - c. if it appears to Firenzo that the Firenzo Woodfire has:
 - i. not been installed correctly at the specified residential address, or not been operated and maintained strictly in accordance with the manufacturer's instructions, AS/NZS 2918:2001 and any relevant building code or consent or these warranty terms.
 - ii. not been inspected and confirmed after installation as a compliant installation (with the requisite specifications and permits).
 - iii. not been regularly maintained and at least annually serviced.
 - iv. been operated with faulty, worn or missing seals.
 - v. been subject to misuse, neglect, or accident in transit, storage or use.
 - vi. been damaged by water ingress in any way, including any surface rust which has occurred in transit or storage. However, this exclusion will not apply to any damage to the Firenzo Woodfire which is determined to have been caused by the wetback.
 - vii. been over fired or has used any fuel other than clean dry firewood (having 25% or less moisture content), including any chemically treated timbers or driftwood.
 - viii. if it appears to Firenzo that the defect is attributable to a failure to replace consumable parts or components or materials within a timely manner to maintain their durability.
- 14) Firenzo reserves the right to alter or supplement the warranties, but no alteration will reduce a consumer's rights under the warranties that applied at the date of original acquisition of the applicable Firenzo Woodfire. In the event of any inconsistency between the warranties and any other written Firenzo Woodfires material, including a manual, the warranties shall prevail to the extent of the inconsistency.
- 15) No person other than a designated accredited agent can bind Firenzo Woodfires with respect to Firenzo Woodfires obligations under the warranties, and then only in accordance with the agent's actual authorities. A person is a designated accredited agent where they are identified and certified in writing by Firenzo Woodfires to be such with their authorities specified in the certificate. Consumers must take reasonable steps to satisfy themselves that they are dealing with designated accredited agents.
- 16) The warranties do not apply to any Firenzo Woodfire installed outside New Zealand.

This document is intended to form part of (and may be expressly referenced in) the terms of sale and purchase by every original New Zealand consumer of a Firenzo Woodfire. For any questions about the warranties or this document please contact Firenzo Woodfires at:

98 Niven Street, Onekawa, Napier

or by on telephone 06 8438260

or by email at firenzo@firenzo.co.nz

or via the Firenzo website www.firenzo.co.nz

A copy of this document is to be executed by Firenzo as a deed poll in favour and for the benefit of the New Zealand consumers described in it and to be kept for inspection purposes with Firenzo's corporate records at its specified address.

Model: Viking AG Dry
Viking RU Dry
Viking AG Wet
Viking RU Wet

Serial No: _____

Date of Purchase: _____

Purchased from: _____

Please complete for your reference



A Legacy of Excellence

At Firenze, we take pride in our heritage as a New Zealand owned family business dedicated to producing premium woodfires of unparalleled quality.

For over four decades, we have passionately designed and crafted woodfires that have become the heart of homes across New Zealand.

Our commitment to excellence is unwavering, reflecting in every freestanding and insert woodfire we create.

Peter Hewitson
Owner & Founder

Contact us

98 Niven Street

Onekawa

Napier 4110

Hawke's Bay

Phone (06) 843 8260

Email firenze@firenze.co.nz

www.firenze.co.nz



Firenzo Woodfires

Manufacturers of:

FREESTANDING MODELS:

Bronte

Contessa

Encore

Lady Kitchener

Napier

Viking

Vision

Stella

Topaz

INSERT MODELS:

Bay

Flush

Kompact

Topaz

98 Niven Street

PO Box 3231

HB Mail Centre

Napier 4142

Phone: 06 843 8260

Website: www.firenzo.co.nz

email: firenzo@firenzo.co.nz